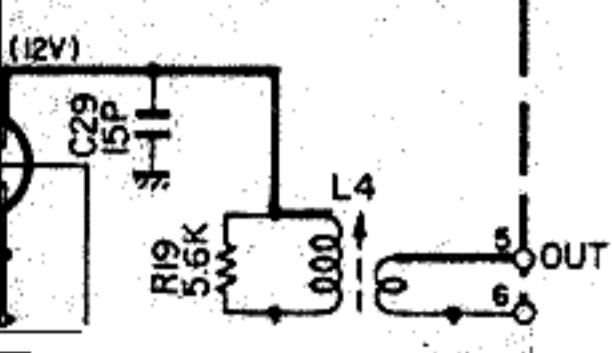


**SCHEMATHEEK**  
 Beh. T. Hultermans  
 Postbus 4228  
 5604 EE Eindhoven

**X46-0002-00**

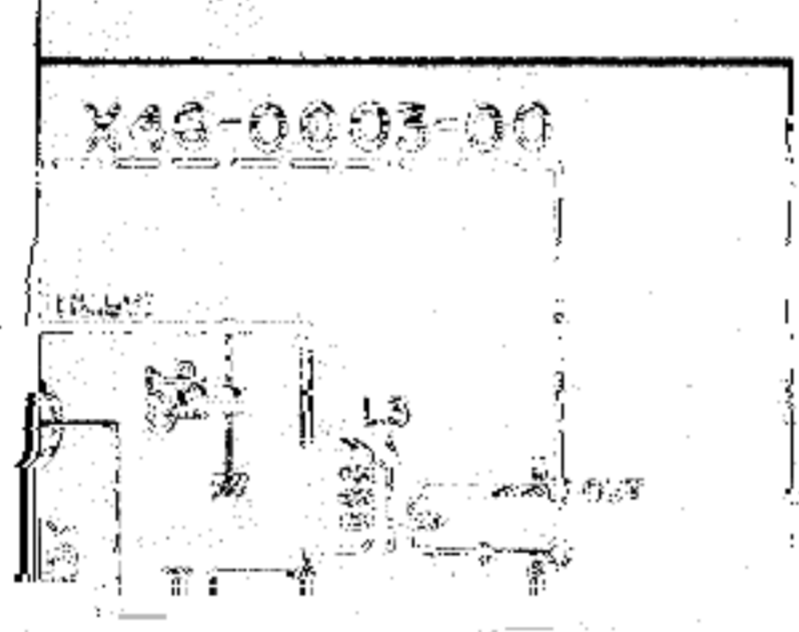


**SPECIFICATIONS**

**GENERAL**  
 Model: X46-0002-00  
 Frequency range: 100 kHz to 10 MHz  
 Accuracy: ±0.1% (100 kHz to 1 MHz), ±0.2% (1 MHz to 10 MHz)  
 Resolution: 0.1 Hz (100 kHz to 1 MHz), 0.2 Hz (1 MHz to 10 MHz)  
 Power: 100 mW (100 kHz to 1 MHz), 10 mW (1 MHz to 10 MHz)  
 Dimensions: 100 mm x 100 mm x 20 mm  
 Weight: 100 g

**OPERATION**  
 Warmup: 10 minutes  
 Calibration: 10 minutes  
 Accuracy: ±2 KHz during the first hour after warmup.  
 Within 2 KHz across the frequency range after calibration at zero.

**CALIBRATION ACCURACY**



**FREQUENCY HEADSET**

**IMAGE RATIO**  
 Better than 50 dB down when span is 100 Hz  
 Better than 50 dB down when span is 100 Hz

**RESOLUTION**  
 0.1 Hz (100 kHz to 1 MHz)  
 0.2 Hz (1 MHz to 10 MHz)

**RESOLUTION**

- 100 Hz
- 10 Hz
- 1 Hz
- 0.1 Hz
- 0.01 Hz

Better than 100 Hz bandwidth (10 dB down).  
 Better than 10 Hz bandwidth (10 dB down).  
 Better than 1 Hz bandwidth (10 dB down).  
 Better than 0.1 Hz bandwidth (10 dB down).  
 Better than 0.01 Hz bandwidth (10 dB down).  
 Resolution accuracy only required for first hour after warmup.

**RESOLUTION**

- 100 Hz
- 10 Hz
- 1 Hz
- 0.1 Hz
- 0.01 Hz

Variable resolution (0.1 Hz to 100 Hz) with 10 dB down accuracy.  
 Resolution accuracy only required for first hour after warmup.

**RESOLUTION**  
 0.1 Hz (100 kHz to 1 MHz)  
 0.2 Hz (1 MHz to 10 MHz)

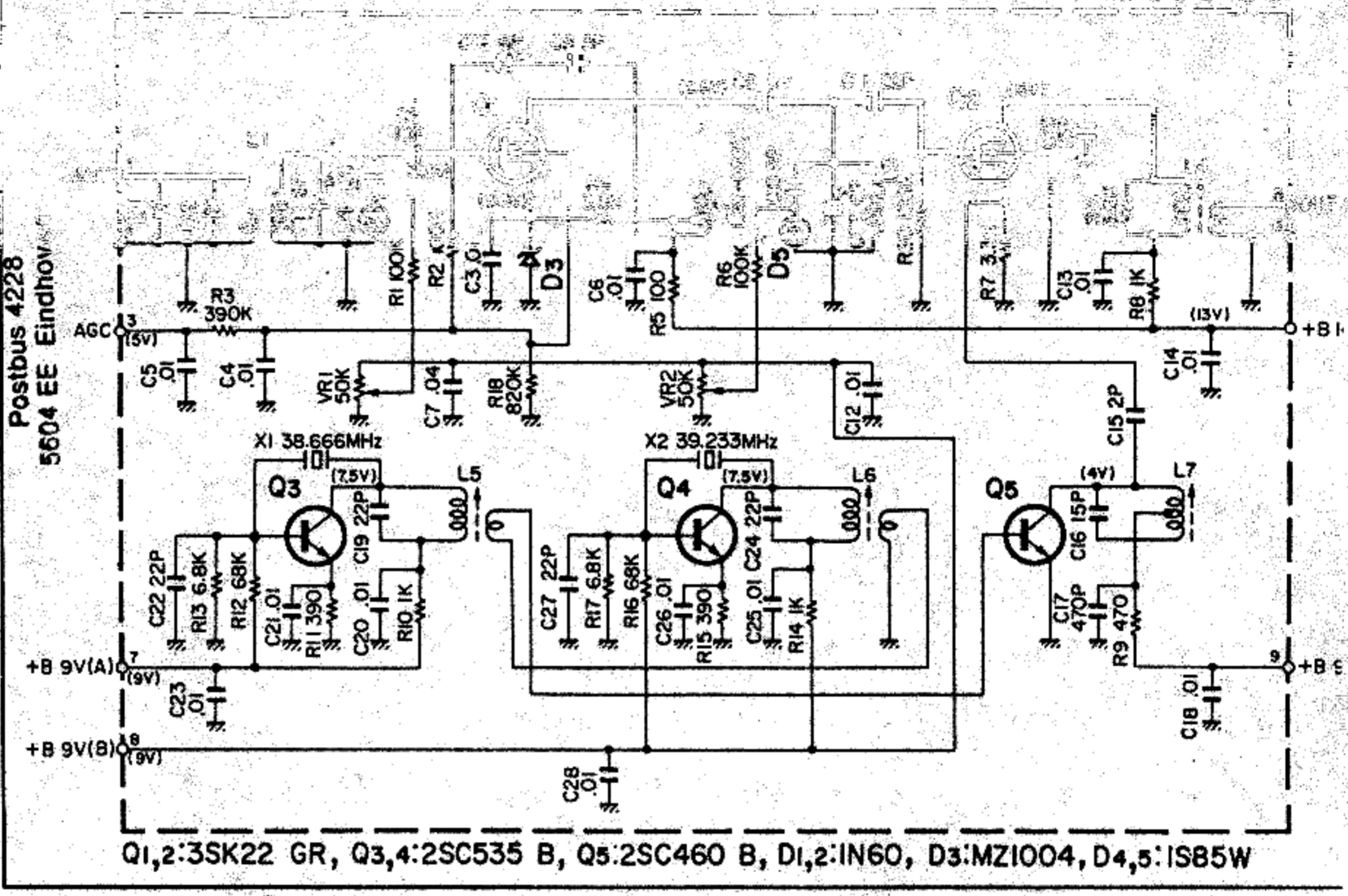
**RESOLUTION**  
 0.1 Hz (100 kHz to 1 MHz)  
 0.2 Hz (1 MHz to 10 MHz)

\* (AM with a 10 dB gain in carrier-to-noise ratio).



CC-29A 2m Xtal CONVERTOR

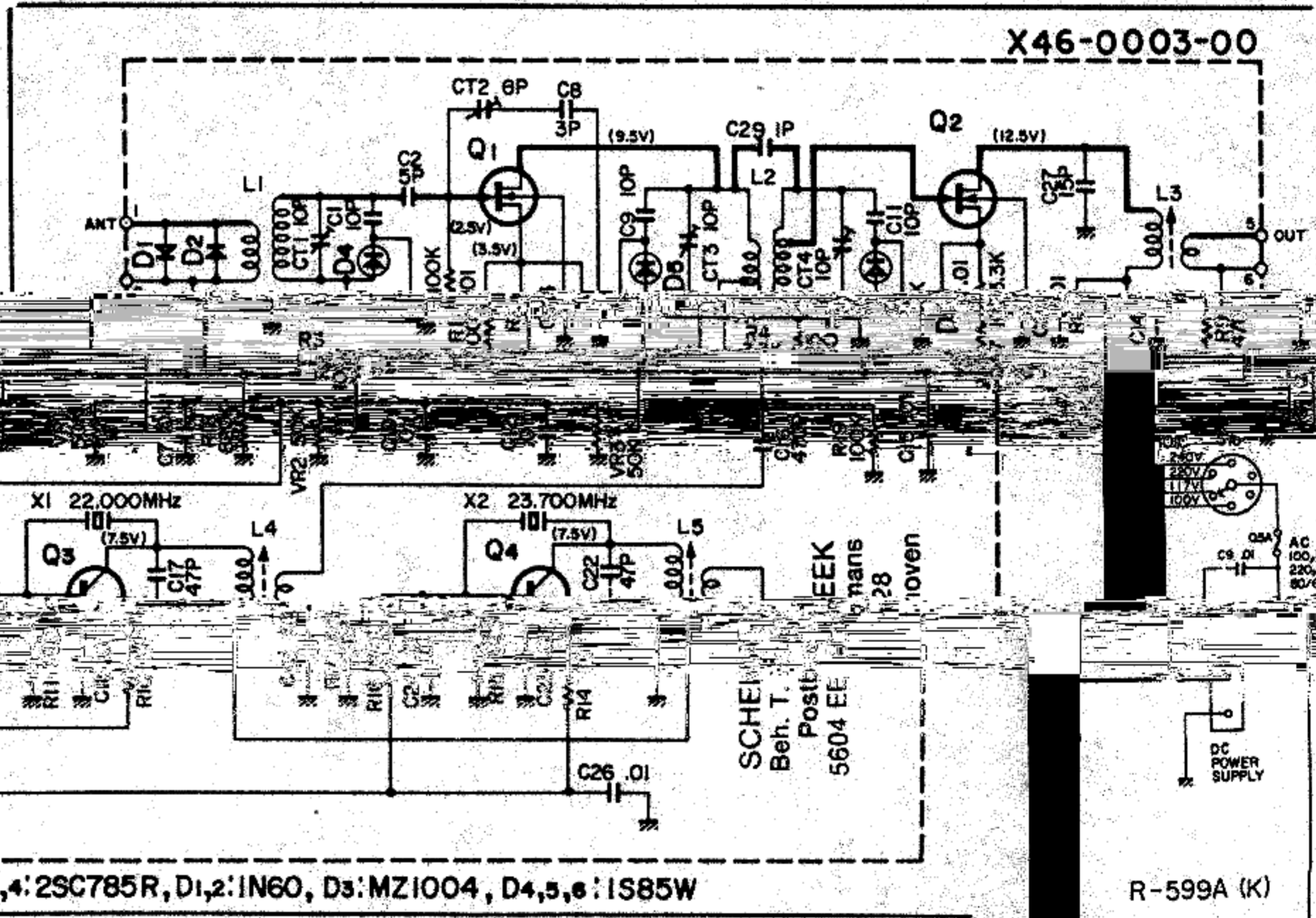
SCHEMATHÉE  
Beh. T. Hultermar  
Postbus 4228  
5604 EE Eindhoven



Q1,2:3SK22 GR, Q3,4:2SC535 B, Q5:2SC460 B, D1,2:IN60, D3:MZI004, D4,5:IS85W

CC-26A 6m Xtal CONVERTOR

X46-0003-00

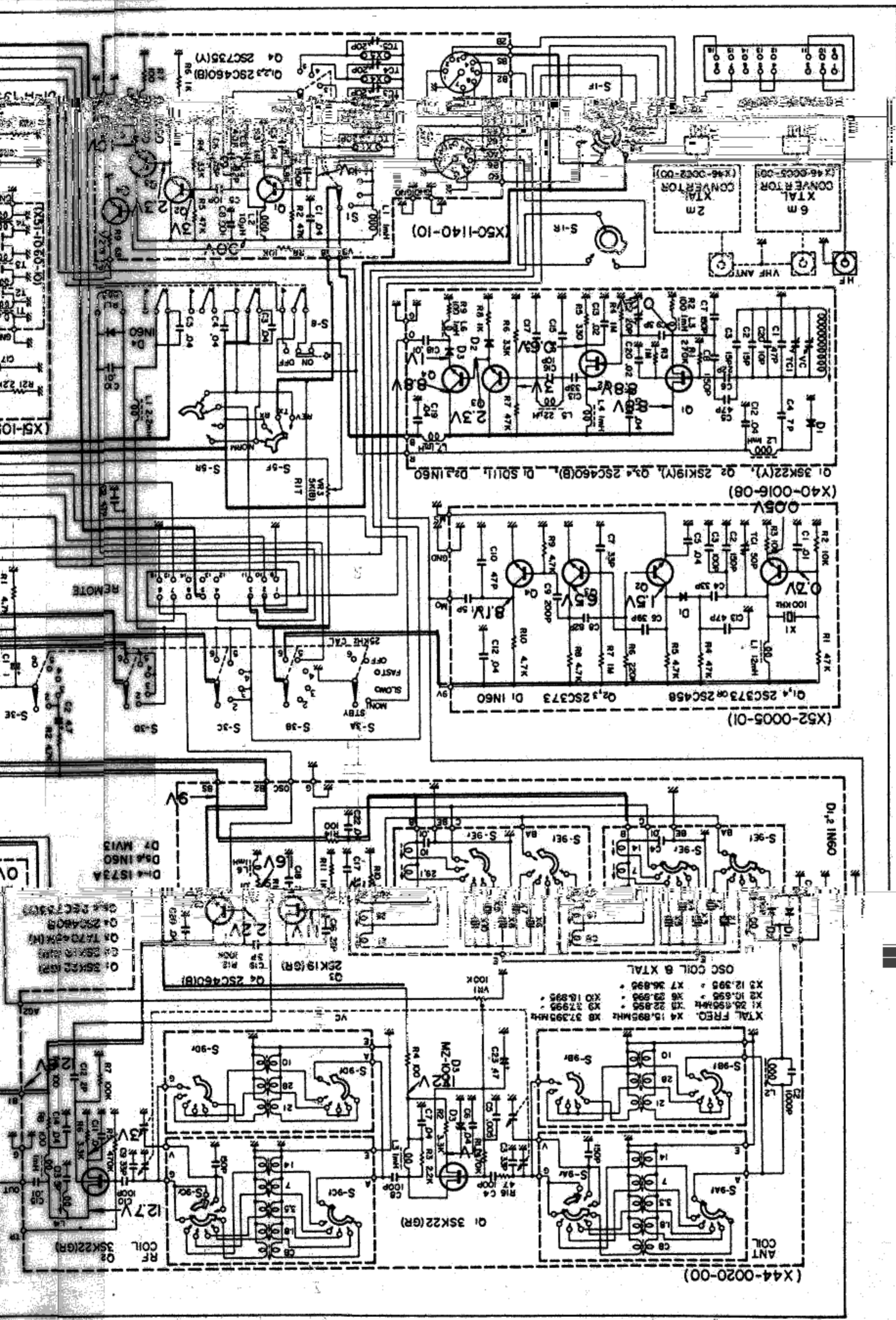


Q1,2: 3SK22GR, Q3,4: 2SC785R, D1,2: IN60, D3: MZI004, D4,5,6: IS85W

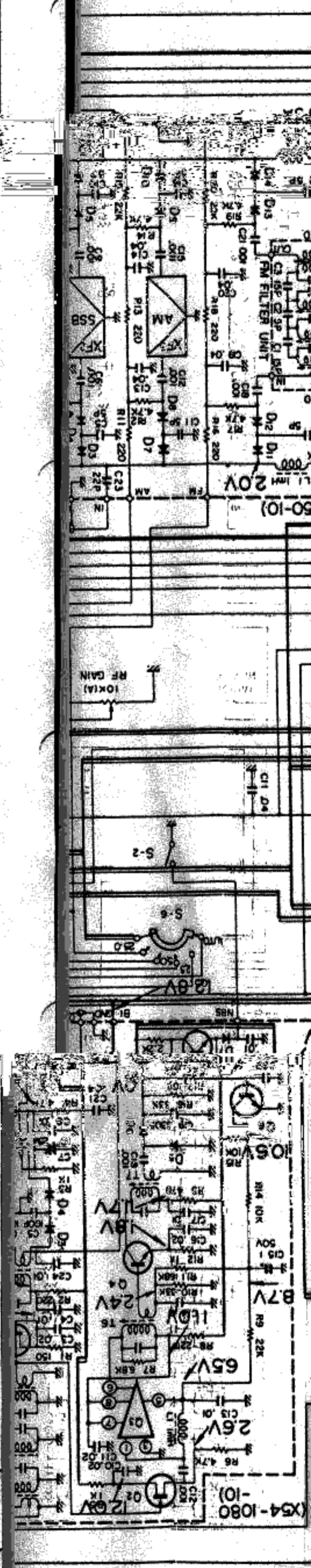
SCHEMATHÉE  
Beh. T. Hultermar  
Postbus 4228  
5604 EE Eindhoven

R-599A (K)

# SCHEMATA



6  
4  
3  
2



B

C

B

A

D

# SCHMATHEEK

Ben. T. Hultermans

Postbus 4228

5604 EE Eindhoven

R-599A (K)

