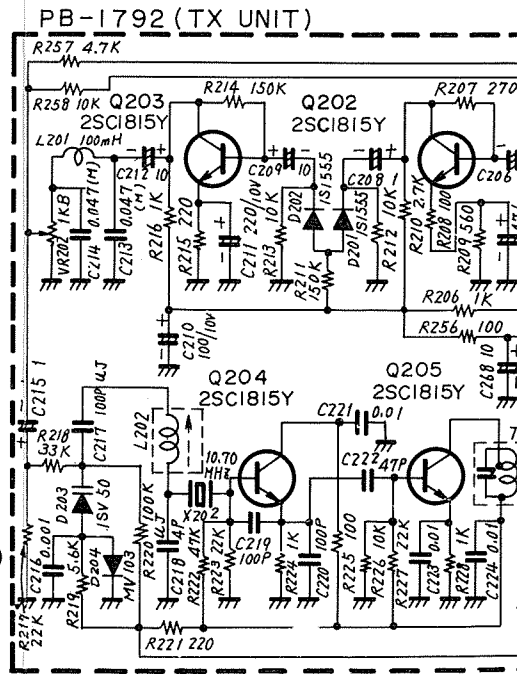
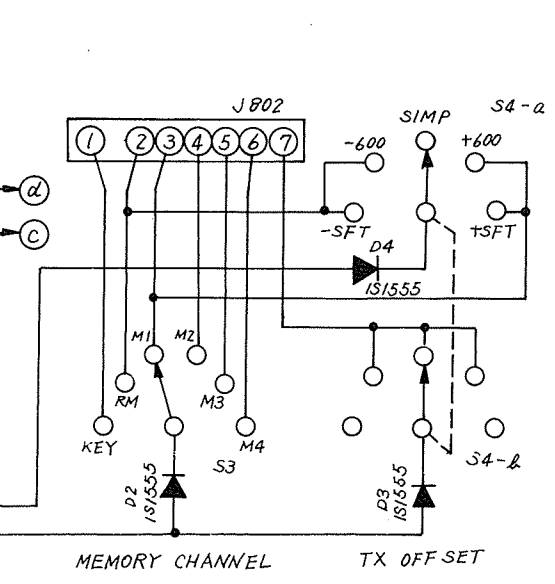
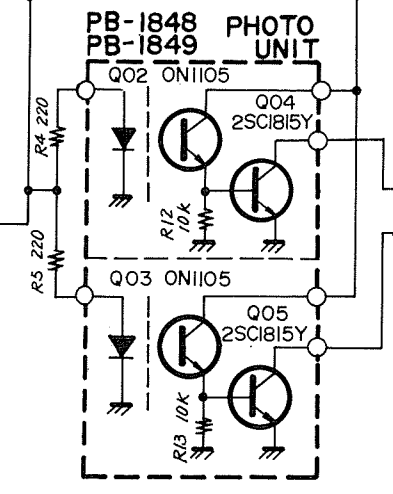
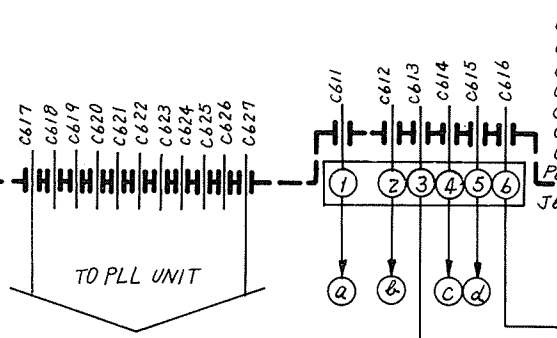
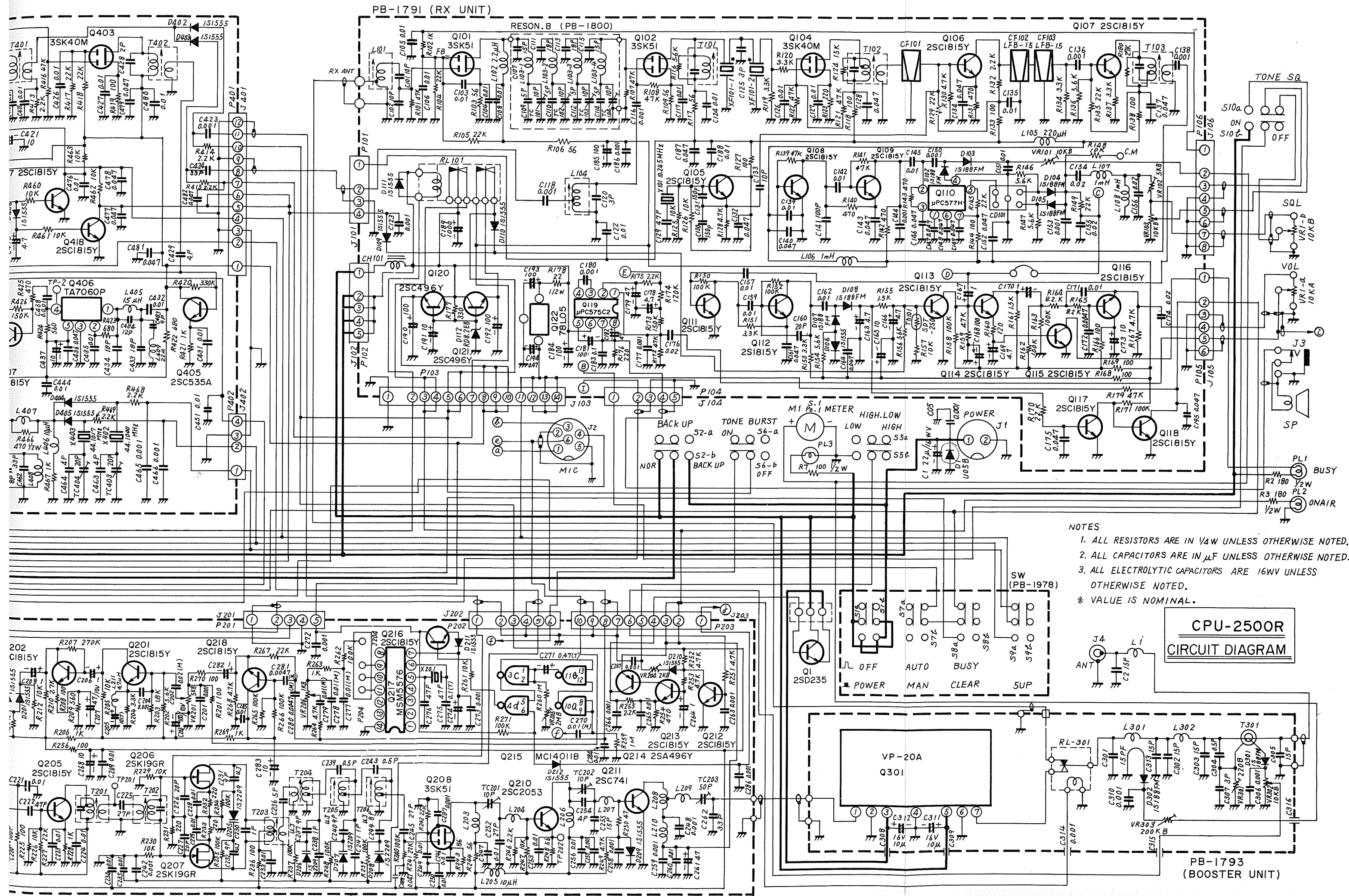


PLL CONTROL UNIT PB-1795 Q601~Q615





- NOTES
1. ALL RESISTORS ARE IN $\frac{1}{4}$ W UNLESS OTHERWISE NOTED.
 2. ALL CAPACITORS ARE IN μ F UNLESS OTHERWISE NOTED.
 3. ALL ELECTROLYTIC CAPACITORS ARE 16V UNLESS OTHERWISE NOTED.
- * VALUE IS NOMINAL.

CPU-2500R
CIRCUIT DIAGRAM

PB-1793
(BOOSTER UNIT)