



# HAM CARDIOID DYNAMIC MICROPHONE MC-50

## INSTRUCTIONS MANUAL



The MC-50 has been designed expressly for amateur radio operation as a high-performance microphone, and will match all Trio-Kenwood Amateur Equipment. A splendid addition to your shack, the base unit "Piano key" switches provide easy, smooth switching between transmit and receive. The base is die-cast zinc, providing the weight necessary to make the MC-50 stay put even at contest speeds.

### SPECIFICATIONS

<b>Configuration</b>	Dynamic microphone with push-to-talk circuit.
<b>Element</b>	Moving coil type, unidirectional.
<b>Impedance</b>	Dual ratings: Hi-Z 50 k ohm $\pm$ 30% (at 1000Hz) Lo-Z 600 ohm $\pm$ 30% (at 1000Hz) Selectable: Connector "A" switching
<b>Sensitivity</b>	-56dB $\pm$ 3dB/50 k ohm -76dB $\pm$ 3dB/600 ohm (0dB=1V/ $\mu$ bar, 1000Hz)
<b>Frequency response</b>	150Hz to 10KHz (-6dB)
<b>Recommended Operation</b>	
<b>Distance to mic.:</b>	10CM (4") Minimum Distance

### OPERATION

The "Piano key" switches provide flexibility in send-receive switching. There are two keys; one for push-to-talk, and the other for Lock Key function. To lock the transmitter ON, press the Lock key. Pressing again returns the system to receive.

### INSTALLATION

#### Impedance Selection.

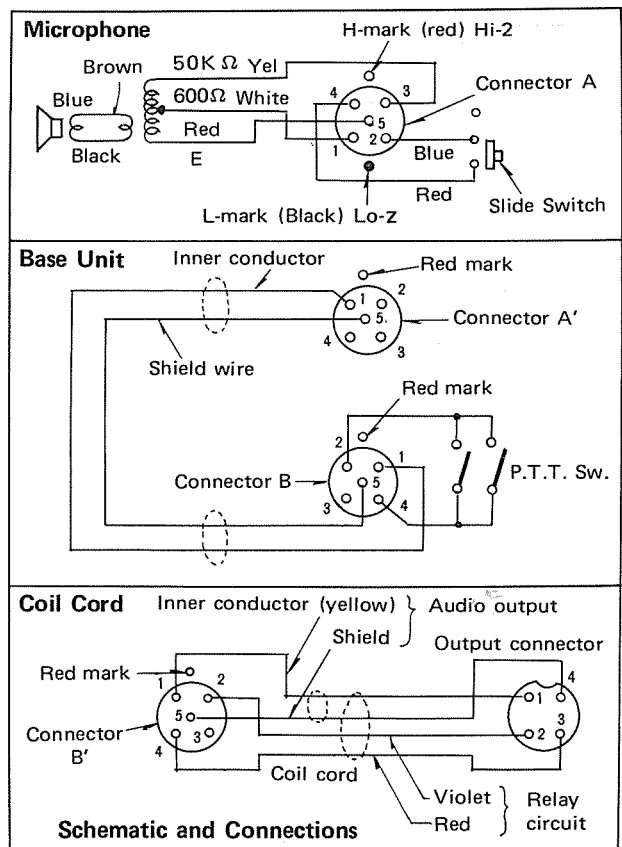
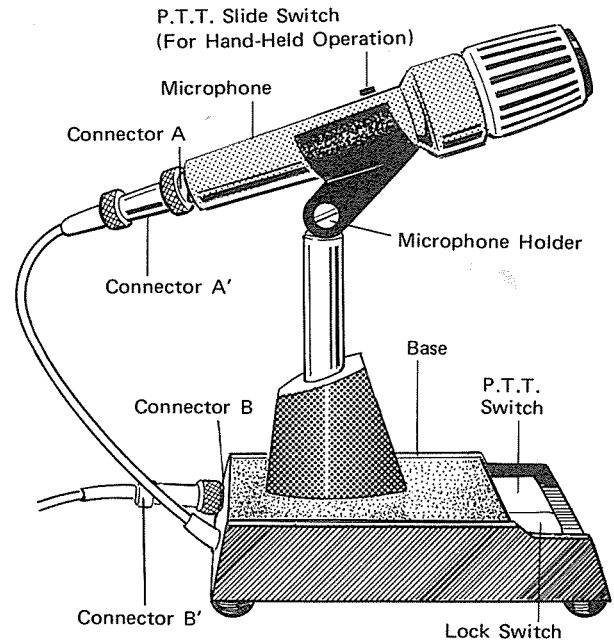
The microphone mounted male connector A is imprinted with a RED H (Hi-Z) and a BLACK L (Lo-Z).

For Hand Held operation, align the Coil Cord connector B' with the appropriate H or L marker. Use the Slide Switch for P.T.T. operation.

For Base mounted operation, align connector A' RED marker with the appropriate H or L marker. When Base-mounted, the Microphone Slide P.T.T. Switch is inoperative-use the Key Switches.

Join the Coil Cord 5 pin female connector B' to the Base 5 pin male connector B so the RED markers align.

Connect the Coil Cord 4 pin female connector to your transceiver.



A product of  
**TRIO-KENWOOD CORPORATION**  
6-17, 3-chome, Aobadai, Meguro-ku, Tokyo 153, Japan.

Distributed by  
**TRIO-KENWOOD COMMUNICATIONS, INC.**  
1111, West Walnut Street, Compton, California, 90220, U.S.A.

Distributed by  
**TRIO-KENWOOD (AUSTRALIA) PTY. LTD.**  
30 Whiting Street, Artarmon, Sydney N.S.W. Australia 2064.

**TRIO-KENWOOD COMMUNICATIONS, GmbH**  
D-6374 Steinbach TS Industriestrasse, 8A West Germany